



Middle Atlantic Products, Inc.®

middleatlantic.com

# CH Series Chassis

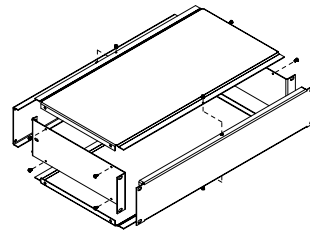
EIA/TIA Compliant

## Features

- Aesthetically-balanced, screwless flush-mounted faceplate
- Brushed and anodized finish on front faceplate
- Black powder coat finish on rear faceplate

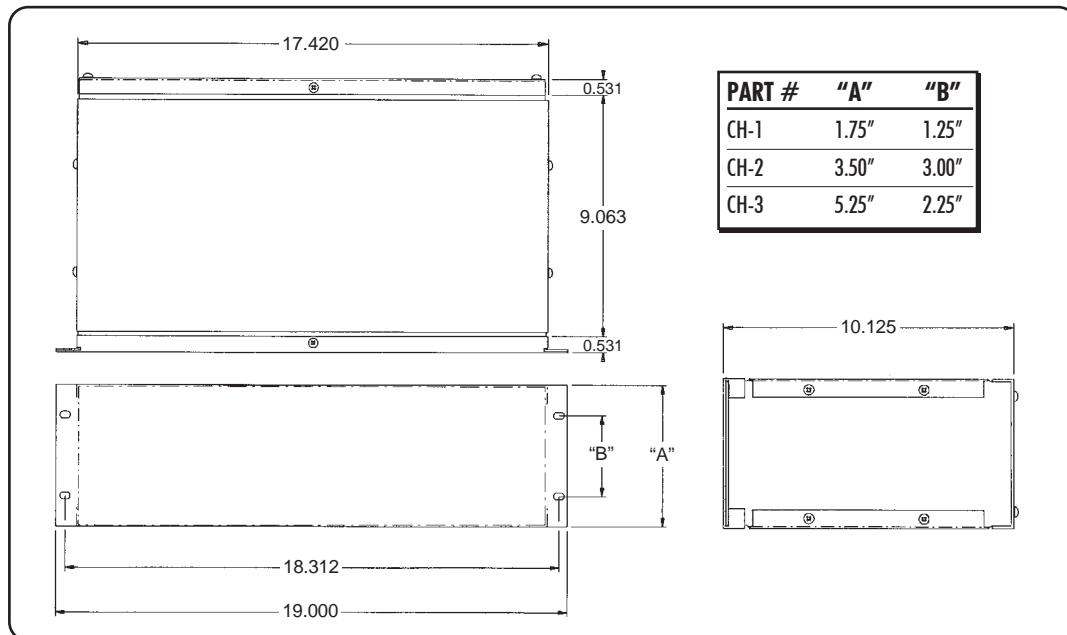


CH2



front and rear  
panels detach for  
simplified  
machining

## CH Chassis basic dimensions



## Architects' and Engineers' Specifications

EIA/TIA compliant rackmount chassis shall be Middle Atlantic Products model # CH-x (x = # of rackspaces, refer to chart). CH shall be constructed of the following materials: front and rear face shall be 1/8" thick aluminum for easy machining; top, bottom and sides shall be 16-gauge steel. Front face shall be black brushed and anodized. Top, bottom, sides and rear face shall be finished in a black powder coat.

CH shall be warranted to be free from defects in material or workmanship under normal use and conditions for the lifetime of the product.

customizable specification clips available at [middleatlantic.com](http://middleatlantic.com)

## Engineered Mounting Solutions

US: New Jersey ▪ California ▪ Illinois ▪ Voice: 973-839-1011 Fax: 973-839-1976 ▪ [middleatlantic.com](http://middleatlantic.com)  
Canada: Ontario ▪ British Columbia ▪ Voice: 613-836-2501 Fax: 613-836-2690 ▪ [middleatlantic.ca](http://middleatlantic.ca)